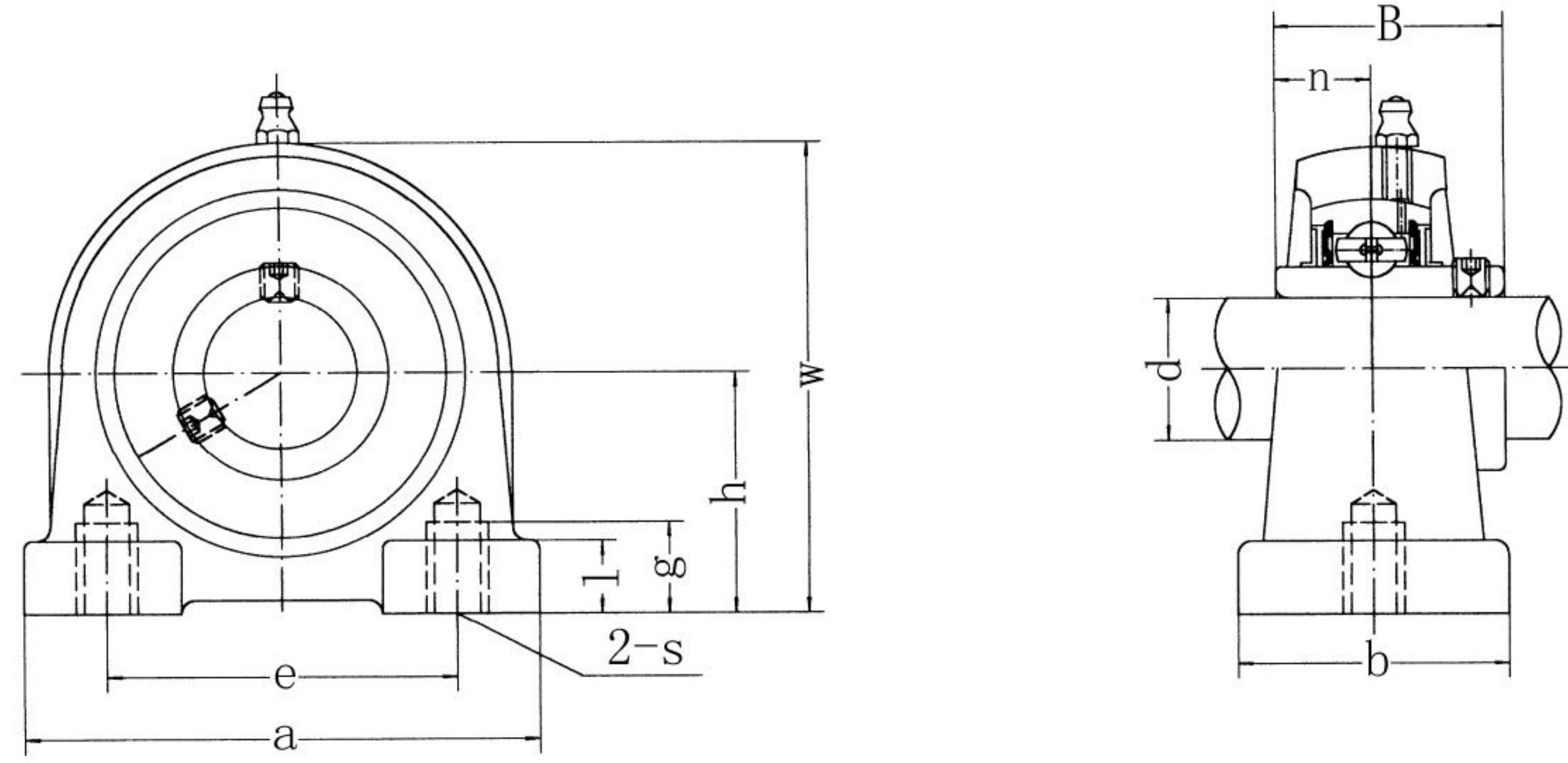


Pillow Blocks

UCPA2(Normal-duty)



Unit No.	Dimensions <small>mm in.</small>											Bolt Size <small>mm inch</small>	Bearing No.	Housing No.	Weight (kg)
	d	h	a	e	b	S	g	l	w	B	n				
UCPA201	12	30.2	76	52	40		15	11	62	31	12.7		UC201		0.6
UCPA201-8	1/2												UC201-8		0.59
UCPA202	15												UC202		0.59
UCPA202-9	9/16												UC202-9		0.59
UCPA202-10	5/8	1-3/16	3	2-3/64	1-9/16	M10	19/32	7/16	2-7/16	1.2205	0.500	M10	UC202-10	PA204	0.59
UCPA203	17												UC203		0.58
UCPA203-11	11/16												UC203-11		0.57
UCPA204	20												UC204		0.56
UCPA204-12	3/4												UC204-12		0.56
UCPA205	25	36.5	84	56	38		15	12	72	34.1	14.3		UC205		0.83
UCPA205-13	13/16												UC205-13		0.87
UCPA205-14	7/8	1-7/16	3-5/16	2-13/64	1-1/2	M10	19/32	15/32	2-53/64	1.3425	0.563	M10	UC205-14	PA205	0.86
UCPA205-15	15/16												UC205-15		0.84
UCPA205-16	1												UC205-16		0.83
UCPA206	30	42.9	94	66	50		18	12	84	38.1	15.9		UC206		1.12
UCPA206-17	1-1/16												UC206-17		1.15
UCPA206-18	1-1/8	1-11/16	3-45/64	2-19/32	1-31/32	M14	45/64	15/32	3-5/16	1.5000	0.626	M14	UC206-18	PA206	1.14
UCPA206-19	1-3/16												UC206-19		1.12
UCPA206-20	1-1/4												UC206-20		1.11
UCPA207	35	47.6	110	80	55		20	13	95	42.9	17.5		UC207		1.48
UCPA207-20	1-1/4												UC207-20		1.54
UCPA207-21	1-5/16	1-7/8	4-21/64	3-5/32	2-11/64	M14	25/32	33/64	3-47/64	1.6890	0.689	M14	UC207-21	PA207	1.51
UCPA207-22	1-3/8												UC207-22		1.48
UCPA207-23	1-7/16												UC207-23		1.45
UCPA208	40	49.2	116	84	58		20	13	100	49.2	19		UC208		1.89
UCPA208-24	1-1/2	1-15/16	4-9/16	3-5/16	2-9/32	M14	25/32	33/64	3-15/16	1.9370	0.748	M14	UC208-24	PA208	1.93
UCPA208-25	1-9/16												UC208-25		1.90
UCPA209	45	54.2	120	90	60		25	13	108	49.2	19		UC209		1.98
UCPA209-26	1-5/8												UC209-26		2.08
UCPA209-27	1-11/16	2-9/64	4-23/32	3-35/64	2-23/64	M14	63/64	33/64	4-1/4	1.9370	0.748	M14	UC209-27	PA209	2.04
UCPA209-28	1-3/4												UC209-28		2.00
UCPA210	50	57.2	130	94	64		25	14	116	51.6	19		UC210		2.16
UCPA210-29	1-13/16												UC210-29		2.28
UCPA210-30	1-7/8	2-1/4	5-1/8	3-45/64	2-33/64	M16	63/64	35/64	4-9/16	2.0315	0.748	M16	UC210-30	PA210	2.23
UCPA210-31	1-15/16												UC210-31		2.18
UCPA210-32	2												UC210-32		2.14
UCPA211	55	63.5	140	104	66		25	14	125	55.6	22.2		UC211		3.26
UCPA211-32	2												UC211-32		3.41
UCPA211-33	2-1/16	2-1/2	5-33/64	4-3/32	2-19/32	M16	63/64	35/64	4-59/64	2.1890	0.874	M16	UC211-33	PA211	3.35
UCPA211-34	2-1/8												UC211-34		3.30
UCPA211-35	2-3/16												UC211-35		3.24
UCPA212	60	69.9	150	114	68		25	15	138	65.1	25.4		UC212		4.19
UCPA212-36	2-1/4												UC212-36		4.32
UCPA212-37	2-5/16	2-3/4	5-29/32	4-31/64	2-43/64	M16	63/64	19/32	5-7/16	2.5630	1.000	M16	UC212-37	PA212	4.24
UCPA212-38	2-3/8												UC212-38		4.17
UCPA212-39	2-7/16												UC212-39		4.10
UCPA213	65	76.2	160	124	70		25	15	150	65.1	25.4		UC213		5.08
UCPA213-40	2-1/2	3	6-19/64	4-7/8	2-3/4	M16	63/64	19/32	5-29/32	2.5630	1.000	M16	UC213-40	PA213	5.17
UCPA213-41	2-9/16												UC213-41		5.08